



# ANGLE ADJUSTABLE FOLD DOWN BACKREST OWNERS MANUAL

DEALER/SUPPLIER:  
THIS MANUAL MUST BE GIVEN TO THE USER OF THIS PRODUCT.

USER:  
BEFORE USING THIS PRODUCT, YOU MUST READ THIS MANUAL IN ITS  
ENTIRETY AND SAVE IT FOR FUTURE REFERENCE.

ATTENDANTS/ASSISTANTS:  
BEFORE ASSISTING THE USER OF THIS PRODUCT, YOU MUST READ THIS  
MANUAL IN ITS ENTIRETY AND SAVE IT FOR FUTURE REFERENCE.

# ANGLE ADJUSTABLE FOLD DOWN BACKREST

## **⚠ WARNING - READ THIS MANUAL**

DO NOT OPERATE THIS BACKREST WITHOUT FIRST READING AND UNDERSTANDING THIS OWNERS MANUAL. IF YOU ARE UNABLE TO UNDERSTAND THE WARNINGS, CAUTIONS AND INSTRUCTIONS, CONTACT YOUR TILITE DEALER OR TILITE CUSTOMER SUPPORT AT (800) 545-2266 BEFORE ATTEMPTING TO USE THIS BACKREST. IF YOU IGNORE THIS WARNING, YOU MAY FALL, TIP OVER OR LOSE CONTROL OF THE WHEELCHAIR AND SERIOUSLY INJURE YOURSELF OR OTHERS OR DAMAGE THE WHEELCHAIR.

## **ANGLE ADJUSTABLE FOLD DOWN BACKREST (2GX, Aero X and TX)**

### **⚠ WARNING**

Always make sure that the grooves in the locking blocks are aligned with the grooves in the backrest pivot bracket. If the grooves are not aligned, the backrest could become loose and the backrest angle could change unexpectedly. If the grooves are not aligned, the grooves may become worn, causing the backrest angle to change unexpectedly. *If you ignore this warning, you may fall, tip over or lose control of the wheelchair and seriously injure yourself or others or damage the wheelchair.*

### **⚠ WARNING**

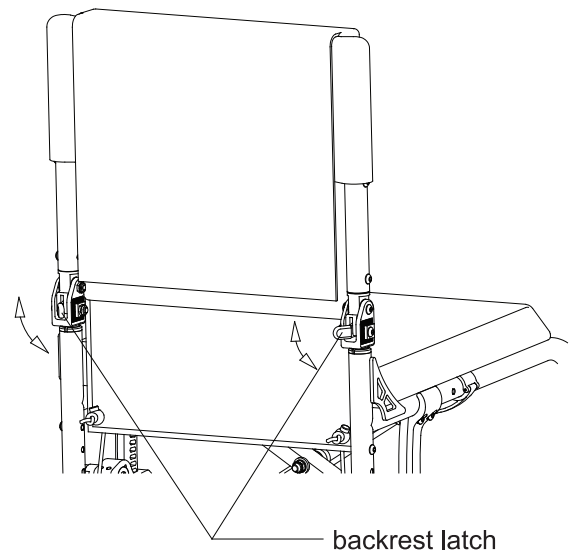
Before using your wheelchair, make sure the Angle Adjustable Fold Down Backrest is locked securely in place in the upright position and all mounting hardware is securely tightened. *If you ignore this warning, you may fall, tip over or lose control of the wheelchair and seriously injure yourself or others or damage the wheelchair.*

### **Folding the Backrest**

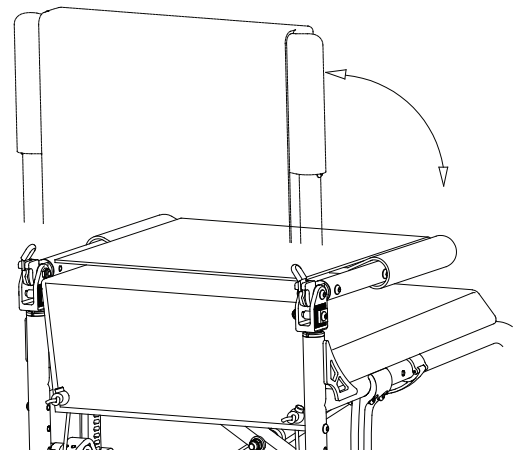
1. Lift the backrest latch on each side of the chair. See Figure 1.
2. Push the back canes forward toward the seat rails. See Figure 2.

### **Unfolding the Backrest**

1. Lift up and pull the back canes toward the rear of the chair. See Figure 2.
2. Make sure that the backrest latch on each side of the chair engages in the locked upright position. See Figure 1.



**Figure 1**



**Figure 2**  
**Folding the Backrest**

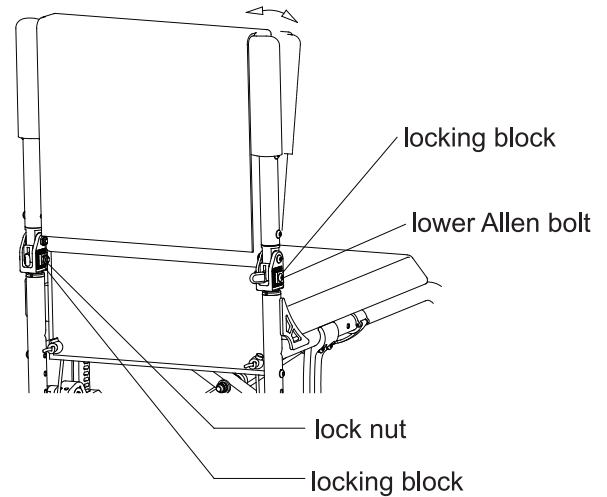
# ANGLE ADJUSTABLE FOLD DOWN BACKREST

## Changing the Backrest Angle

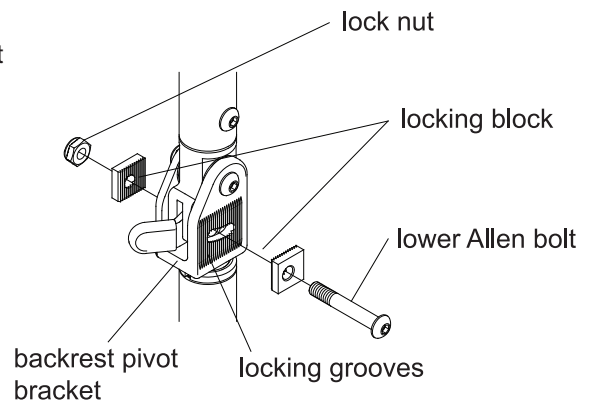
### Tools Needed:

- 5/32" Allen Wrench
- 7/16" Open End Wrench

1. Lock the backrest in the unfolded, upright position.
2. Loosen, but do not remove the lower Allen bolt shown in Figures 3 and 4. This bolt must be sufficiently loose so that both locking blocks can disengage from the locking grooves on the backrest pivot bracket.
3. Adjust the angle of the backrest to the desired angle.
5. Carefully re-engage both locking blocks, being extremely careful to ensure that all of the grooves in the locking blocks are engaged in grooves on the backrest pivot bracket. Make sure that no part of either locking block overhangs past the front or rear of the backrest pivot bracket.
6. Securely tighten the lower Allen bolt.
7. Disengage the release lever and fold down the backrest. If the backrest does not fold easily, you may need to loosen the upper Allen bolt (but not the lower Allen bolt).
8. If desired, repeat Steps 1 through 6 with the backrest canes on the opposite side of the wheelchair.



**Figure 3**  
**Changing the Backrest Angle**



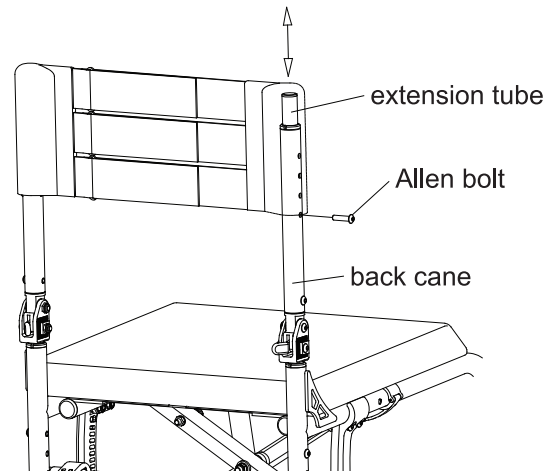
**Figure 4**  
**Changing the Backrest Angle**

## Adjusting the Backrest Height

### Tools Needed:

- 5/32" Allen Wrench

1. Remove the backrest upholstery, but leave the backrest ears attached to the back canes. See "Tension Adjustable Back Upholstery (Straps)" on pages 36-37 of the TiLite Folding Owners Manual.
2. Remove the Allen bolts that secure the extension tubes to the back canes. See Figure 5.
3. Raise or lower the back cane extension tubes to the desired height.
4. Reinstall the Allen bolts that secure the back cane extension tubes to the back canes. See Figure 5.
5. Reinstall the backrest upholstery. See "Tension Adjustable Back Upholstery (Straps)" on pages 36-37 of the TiLite Folding Owners Manual.



**Figure 5**  
**Adjusting the Backrest Height**



[tilite.com](http://tilite.com)

**P** 800.545.2266 | 509.586.6117  
**F** 866.586.2413 | 509.585.8703

2701 West Court Street, Pasco, Washington 99301

A PRODUCT SUPPORTED BY:



[usersfirst.org](http://usersfirst.org)