



SPACER PACKAGES FOR UPGRADING TO TiLITE'S PERFORMANCE WHEELS

SPACER PACKAGES FOR TILITE'S PERFORMANCE WHEELS

⚠ WARNING

Before replacing your front wheels/casters refer to the section on replacing the casters in your TiLite Owners Manual.

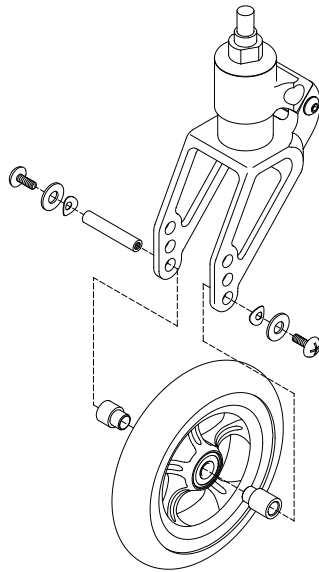
TILITE PERFORMANCE WHEEL SPACER PACKAGES

To upgrade your Front Wheels to TiLite's Performance 5-Spoke Billet Aluminum Wheels, one of the following Spacer Packages may be required. To identify the Spacer Package that you require, first identify your fork type and follow the instructions below. When installing, make sure the wider spacer in the package is positioned on the recessed side of the wheel, which should be oriented outwards when the wheel is in the trailing position.

Spacer Package for Frog Leg Forks

If you have Frog Leg Suspension Forks as seen in Figure 1, measure from inside to inside of fork at axle location as seen in Figure 4 and if it measures 1.62" (41.1mm) you will need the AS111514 spacer package. Please call customer service at 800.545.2266 if your inside dimension measurement is not 1.62" (41.1mm).

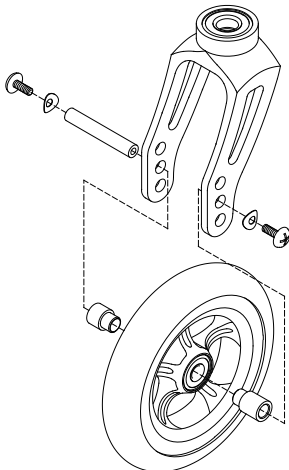
**Figure 1
Frog Legs® Suspension Fork**



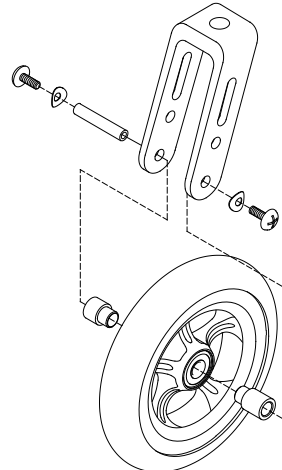
Spacer Package for Bearing and Non-Bearing Forks

If you have Bearing Forks or Non-Bearing Forks as seen in Figures 2 and 3, measure from inside to inside of fork at axle location as seen in Figure 4 and refer to the charts on page 2.

**Figure 2
Bearing Fork**

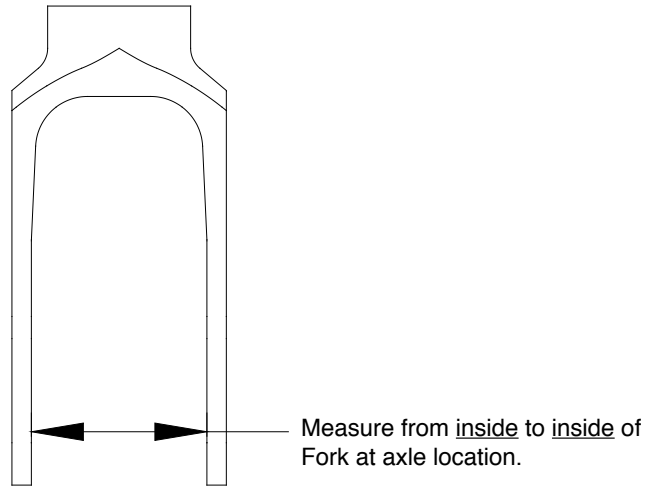


**Figure 3
Non-Bearing Fork**



SPACER PACKAGES FOR TILITE'S PERFORMANCE WHEELS

Figure 4
Inside Fork Dimension



Bearing Fork	
Inside Dimension	Spacer Package
1.69" (42.9mm)	AS111513
1.62" (41.1mm)	AS111514
1.44" (36.6mm)	AS111516

Non-Bearing Fork	
Inside Dimension	Spacer Package
1.21" (30.7mm)	AS111515
1.44" (36.6mm)	AS111516

Spacer Package for Unidentified Fork Type

If you are not sure which forks you have, you will need the AS111512 Spacer Package.